

## PRECISION CLOCK MULTIPLIER/JITTER ATTENUATOR

### Description

The Si5366 is a jitter-attenuating precision clock multiplier for high-speed communication systems, including SONET OC-48/OC-192, Ethernet, and Fibre Channel. The Si5366 accepts four clock inputs ranging from 8 kHz to 707 MHz and generates five frequency-multiplied clock outputs ranging from 8 kHz to 1050 MHz. The input clock frequency and clock multiplication ratio are selectable from a table of popular SONET, Ethernet, and Fibre Channel rates. The Si5366 is based on Silicon Laboratories' 3rd-generation DSPLL<sup>®</sup> technology, which provides any-rate frequency synthesis and jitter attenuation in a highly integrated PLL solution that eliminates the need for external VCXO and loop filter components. The DSPLL loop bandwidth is digitally programmable, providing jitter performance optimization at the application level. Operating from a single 1.8 or 2.5 V supply, the Si5366 is ideal for providing clock multiplication and jitter attenuation in high performance timing applications.

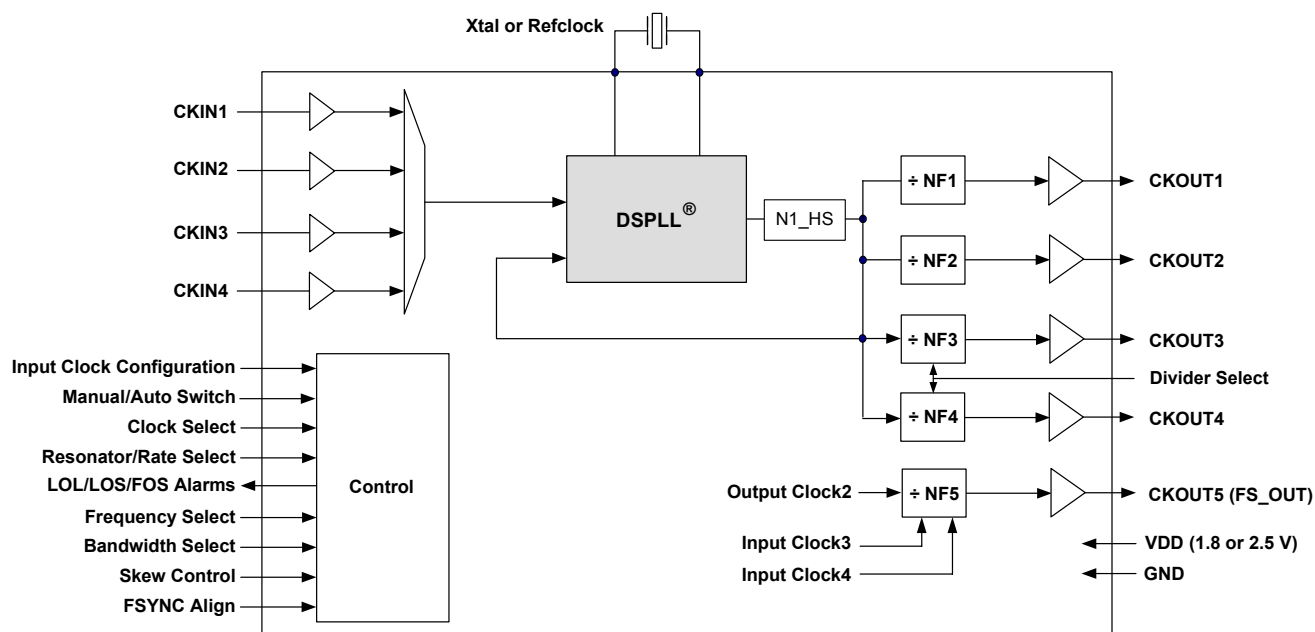
### Applications

- SONET/SDH OC-48/STM-16 and OC-192/STM-64 line cards
- GbE/10GbE, 1/2/4/8/10GFC line cards
- ITU G.709 line cards
- Optical modules

- Test and measurement
- Synchronous Ethernet

### Features

- Selectable output frequencies ranging from 8 kHz to 1050 MHz
- Ultra-low jitter clock outputs w/jitter generation as low as 0.3 ps rms (50 kHz–80 MHz)
- Integrated loop filter with selectable loop bandwidth (60 Hz to 8.4 kHz)
- Meets OC-192 GR-253-CORE jitter specifications
- Four clock inputs w/manual or automatically controlled hitless switching
- Five clock outputs with selectable signal format (LVPECL, LVDS, CML, CMOS)
- SONET frame sync switching and regeneration
- Support for ITU G.709 FEC ratios (255/238, 255/237, 255/236)
- LOL, LOS, FOS alarm outputs
- Pin-controlled output phase adjust
- Pin-programmable settings
- On-chip voltage regulator for 1.8 ±5% or 2.5 V ±10% operation
- Small size: 14 x 14 mm 100-pin TQFP
- Pb-free, RoHS compliant



**Table 1. Performance Specifications** $(V_{DD} = 1.8 \pm 5\%$  or  $2.5 \text{ V} \pm 10\%$ ,  $T_A = -40$  to  $85 \text{ }^\circ\text{C}$ )

Parameter	Symbol	Test Condition	Min	Typ	Max	Unit
Temperature Range	$T_A$		-40	25	85	$^\circ\text{C}$
Supply Voltage	$V_{DD}$		2.25	2.5	2.75	V
			1.71	1.8	1.89	V
Supply Current	$I_{DD}$	$f_{OUT} = 622.08 \text{ MHz}$ All CKOUTs enabled LVPECL format output	—	394	435	mA
		Only CKOUT1 enabled	—	253	284	mA
		$f_{OUT} = 19.44 \text{ MHz}$ All CKOUTs enabled CMOS format output	—	278	321	mA
		Only CKOUT1 enabled	—	229	261	mA
		Tristate/Sleep Mode	—	165	TBD	mA
Input Clock Frequency (CKIN1, CKIN2, CKIN3, CKIN4)	$CK_F$	Input frequency and clock multiplication ratio pin-selectable from table of values using FRQSEL and FRQTBL settings. Consult Silicon Laboratories configuration software DSPLLsim or Any-Rate Precision Clock Family Reference Manual at <a href="http://www.silabs.com/timing">www.silabs.com/timing</a> (click on Documentation) for table selections.	0.008	—	707.35	MHz
Input Clock Frequency (CKIN3, CKIN4 used as FSYNC inputs)	$CK_F$		0.008	—	—	MHz
Output Clock Frequency (CKOUT1, CKOUT2, CKOUT3, CKOUT4, CKOUT5 used as fifth high-speed output)	$CK_{OF}$		0.008	—	1049.76	MHz
CKOUT5 used as frame sync output (FS_OUT)	$CK_{OF}$		0.008	—	—	MHz
<b>3-Level Input Pins</b>						
Input Mid Current	$I_{IMM}$	See Note 2.	-2	—	2	$\mu\text{A}$
<b>Input Clocks (CKIN1, CKIN2, CKIN3, CKIN4)</b>						
Differential Voltage Swing	$CKN_{DPP}$		0.25	—	1.9	$V_{PP}$
Common Mode Voltage	$CKN_{VCM}$	1.8 V $\pm 5\%$	0.9	—	1.4	V
		2.5 V $\pm 10\%$	1.0	—	1.7	V
Rise/Fall Time	$CKN_{TRF}$	20–80%		—	11	ns
Duty Cycle (Minimum Pulse Width)	$CKN_{DC}$	Whichever is smaller	40	—	60	%
			2	—	—	ns
<b>Output Clocks (CKOUT1, CKOUT2, CKOUT3, CKOUT4, CKOUT5/FS_OUT)</b>						
Common Mode	$V_{OCM}$	LVPECL 100 $\Omega$ load line-to-line	$V_{DD} - 1.42$	—	$V_{DD} - 1.25$	V
Differential Output Swing	$V_{OD}$		1.1	—	1.9	V
Single Ended Output Swing	$V_{SE}$		0.5	—	0.93	V
Rise/Fall Time	$CKO_{TRF}$	20–80%	—	230	350	ps
<b>Notes:</b>						
1. For a more comprehensive listing of device specifications, please consult the Silicon Laboratories Any-Rate Precision Clock Family Reference Manual. This document can be downloaded from <a href="http://www.silabs.com/timing">www.silabs.com/timing</a> (click on Documentation).						
2. This is the amount of leakage that the 3 level input can tolerate from an external driver. See the Family Reference Manual. In most designs, an external resistor voltage divider is recommended.						

**Table 1. Performance Specifications (Continued)** $(V_{DD} = 1.8 \pm 5\%$  or  $2.5 V \pm 10\%$ ,  $T_A = -40$  to  $85\text{ }^\circ\text{C}$ )

Parameter	Symbol	Test Condition	Min	Typ	Max	Unit
Duty Cycle	CKO <sub>DC</sub>		45	—	55	%
<b>PLL Performance</b>						
Jitter Generation	J <sub>GEN</sub>	f <sub>IN</sub> = f <sub>OUT</sub> = 622.08 MHz, LVPECL output format 50 kHz–80 MHz	—	0.3	TBD	ps rms
		12 kHz–20 MHz	—	0.3	TBD	ps rms
Jitter Transfer	J <sub>PK</sub>		—	0.05	0.1	dB
Phase Noise	CKO <sub>PN</sub>	f <sub>IN</sub> = f <sub>OUT</sub> = 622.08 MHz 100 Hz offset	—	TBD	TBD	dBc/Hz
		1 kHz offset	—	TBD	TBD	dBc/Hz
		10 kHz offset	—	TBD	TBD	dBc/Hz
		100 kHz offset	—	TBD	TBD	dBc/Hz
Subharmonic Noise	SP <sub>SUBH</sub>	Phase Noise @ 100 kHz Offset	—	TBD	TBD	dBc
		Spurious Noise	SP <sub>SPUR</sub>	Max spur @ n x F3 (n ≥ 1, n x F3 < 100 MHz)	—	TBD
<b>Package</b>						
Thermal Resistance Junction to Ambient	θ <sub>JA</sub>	Still Air	—	40	—	°C/W
<b>Notes:</b>						
<ol style="list-style-type: none"> <li>For a more comprehensive listing of device specifications, please consult the Silicon Laboratories Any-Rate Precision Clock Family Reference Manual. This document can be downloaded from <a href="http://www.silabs.com/timing">www.silabs.com/timing</a> (click on Documentation).</li> <li>This is the amount of leakage that the 3 level input can tolerate from an external driver. See the Family Reference Manual. In most designs, an external resistor voltage divider is recommended.</li> </ol>						

**Table 2. Absolute Maximum Ratings**

Parameter	Symbol	Value	Unit
DC Supply Voltage	V <sub>DD</sub>	–0.5 to 3.6	V
LVC MOS Input Voltage	V <sub>DIG</sub>	–0.3 to (V <sub>DD</sub> + 0.3)	V
Operating Junction Temperature	T <sub>JCT</sub>	–55 to 150	°C
Storage Temperature Range	T <sub>STG</sub>	–55 to 150	°C
ESD HBM Tolerance (100 pF, 1.5 kΩ); All pins except CKIN+/CKIN–		2	kV
ESD MM Tolerance; All pins except CKIN+/CKIN–		200	V
ESD HBM Tolerance (100 pF, 1.5 kΩ); CKIN+/CKIN–		700	V
ESD MM Tolerance; CKIN+/CKIN–		150	V
Latch-Up Tolerance		JESD78 Compliant	
<b>Note:</b> Permanent device damage may occur if the Absolute Maximum Ratings are exceeded. Functional operation should be restricted to the conditions as specified in the operation sections of this data sheet. Exposure to absolute maximum rating conditions for extended periods of time may affect device reliability.			

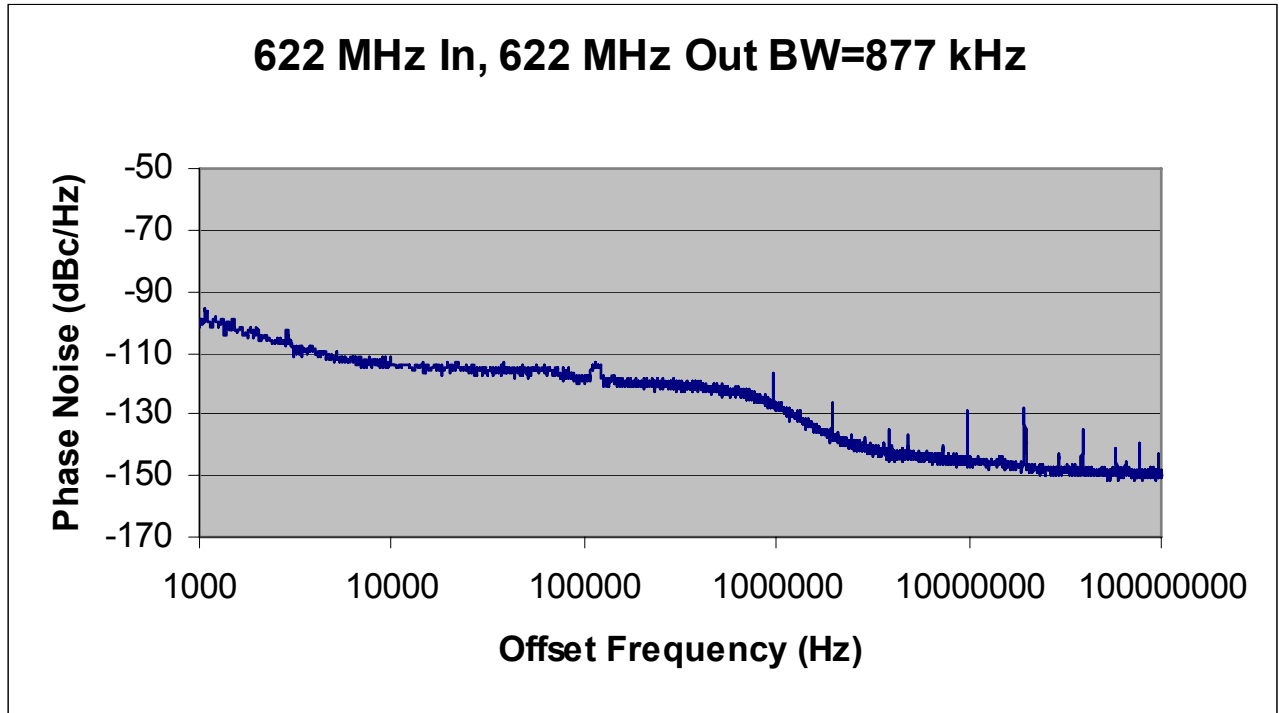
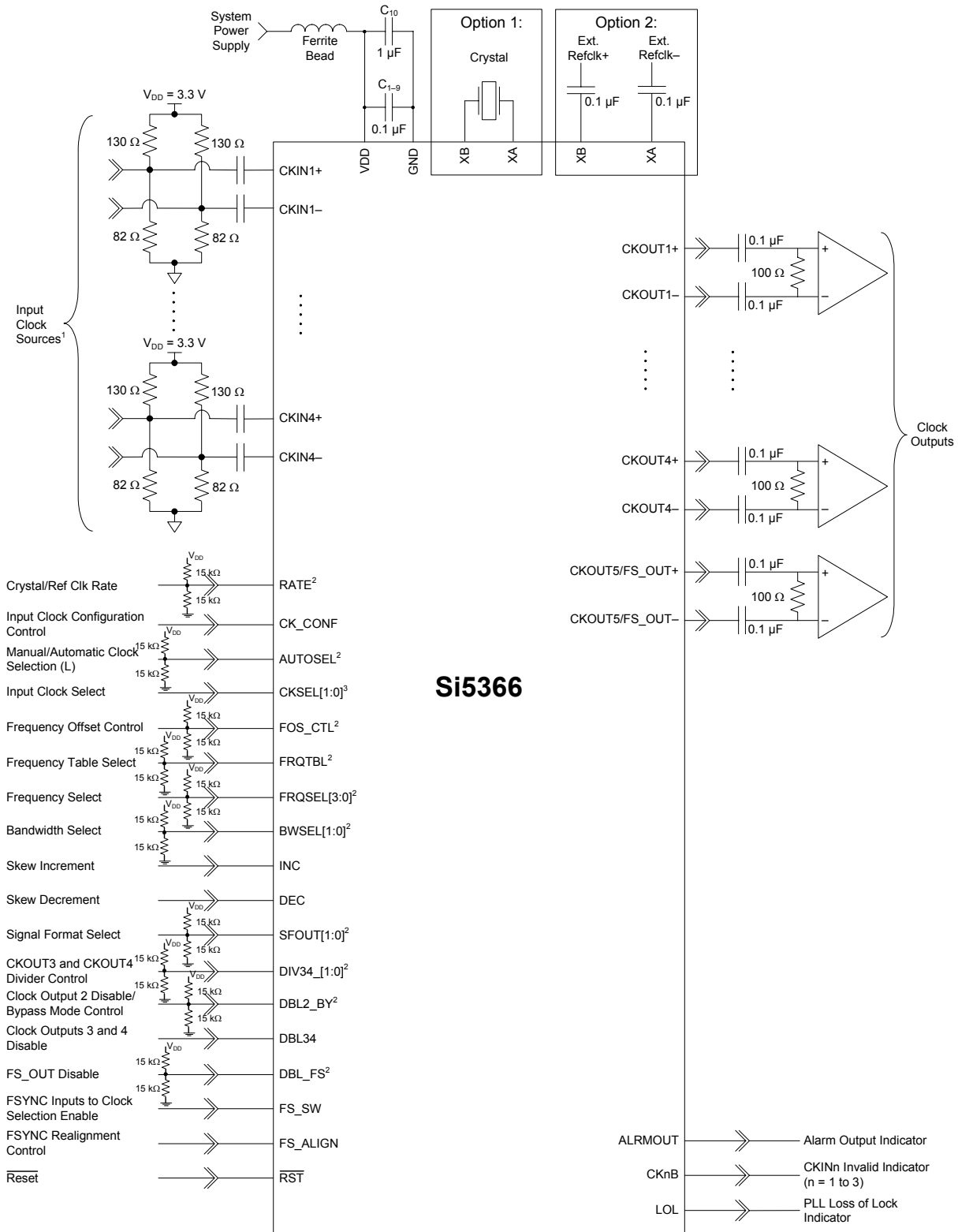


Figure 1. Typical Phase Noise Plot

Jitter Bandwidth	RMS Jitter (fs)
OC-48, 12 kHz to 20 MHz	374
OC-192, 20 kHz to 80 MHz	388
OC-192, 4 MHz to 80 MHz	181
OC-192, 50 kHz to 80 MHz	377
Broadband, 800 Hz to 80 MHz	420



**Notes:** 1. Assumes differential LVPECL termination (3.3 V) on clock inputs.  
 2. Denotes tri-level input pins with states designated as L (ground), M (VDD/2), and H (VDD).  
 3. Assumes manual input clock selection.

**Figure 2. Si5366 Typical Application Circuit**

## 1. Functional Description

The Si5366 is a jitter-attenuating precision clock multiplier for high-speed communication systems, including SONET OC-48/OC-192, Ethernet, and Fibre Channel. The Si5366 accepts four clock inputs ranging from 8 kHz to 707 MHz and generates five frequency-multiplied clock outputs ranging from 8 kHz to 1050 MHz. By default the four clock inputs are at the same frequency and the five clock outputs are at the same frequency. Two of the output clocks can be divided down further to generate an integer sub-multiple frequency. Optionally, the fifth clock output can be configured as a 8 kHz SONET/SDH frame synchronization output that is phase aligned with one of the high-speed output clocks. The input clock frequency and clock multiplication ratio are selectable from a table of popular SONET, Ethernet, and Fibre Channel rates. In addition to providing clock multiplication in SONET and datacom applications, the Si5366 supports SONET-to-datacom frequency translations. Silicon Laboratories offers a PC-based software utility, *DSPLLsim*, that can be used to look up valid Si5366 frequency translations. This utility can be downloaded from <http://www.silabs.com/timing> (click on Documentation).

The Si5366 is based on Silicon Laboratories' 3rd-generation DSPLL<sup>®</sup> technology, which provides any-rate frequency synthesis and jitter attenuation in a highly integrated PLL solution that eliminates the need for external VCXO and loop filter components. The Si5366 PLL loop bandwidth is selectable via the *BWSEL[1:0]* pins and supports a range from 60 Hz to 8.4 kHz. The *DSPLLsim* software utility can be used to calculate valid loop bandwidth settings for a given input clock frequency/clock multiplication ratio.

The Si5366 supports hitless switching between input clocks in compliance with GR-253-CORE and GR-1244-CORE that greatly minimizes the propagation of phase transients to the clock outputs during an input clock transition (<200 ps typ). Manual and automatic revertive and non-revertive input clock switching options are available via the *AUTOSEL* input pin. The Si5366 monitors the four input clocks for loss-of-signal and provides a LOS alarm when it detects missing pulses on any of the four input clocks. The device monitors the lock status of the PLL. The lock detect algorithm works by continuously monitoring the phase of the input clock in relation to the phase of the feedback clock. If a potential phase cycle slip is detected, the *LOL* output is set high. The Si5366 monitors the frequency of *CKIN1*, *CKIN3*, and *CKIN4* with respect to a reference frequency applied to *CKIN2*, and generates a frequency offset alarm (FOS) if the threshold is exceeded. This FOS feature is available for SONET applications in which both the monitored frequency on *CKIN1*, *CKIN3*, and *CKIN4* and the reference frequency are integer multiples of 19.44 MHz. Both Stratum 3/3E and SONET

Minimum Clock (SMC) FOS thresholds are supported.

The Si5366 provides a digital hold capability that allows the device to continue generation of a stable output clock when the selected input reference is lost. During digital hold, the DSPLL is locked to an input frequency that existed a fixed amount of time before the error event occurred, eliminating the effects of phase and frequency transients that may occur immediately preceding digital hold.

The Si5366 has five differential clock outputs. The signal format of the clock outputs is selectable to support LVPECL, LVDS, CML, or CMOS loads. If not required, unused clock outputs can be powered down to minimize power consumption. The phase difference between the selected input clock and the output clocks is adjustable in 200 ps increments for system skew control. For system-level debugging, a bypass mode is available which drives the output clock directly from the input clock, bypassing the internal DSPLL. The device is powered by a single 1.8 or 2.5 V supply.

### 1.1. External Reference

An external, 38.88 MHz clock or a low-cost 114.285 MHz 3rd overtone crystal is used as part of a fixed-frequency oscillator within the DSPLL. This external reference is required for the device to perform jitter attenuation. Silicon Laboratories recommends using a high-quality crystal. Specific recommendations may be found in the Family Reference Manual. An external 38.88 MHz clock from a high quality OCXO or TCXO can also be used as a reference for the device.

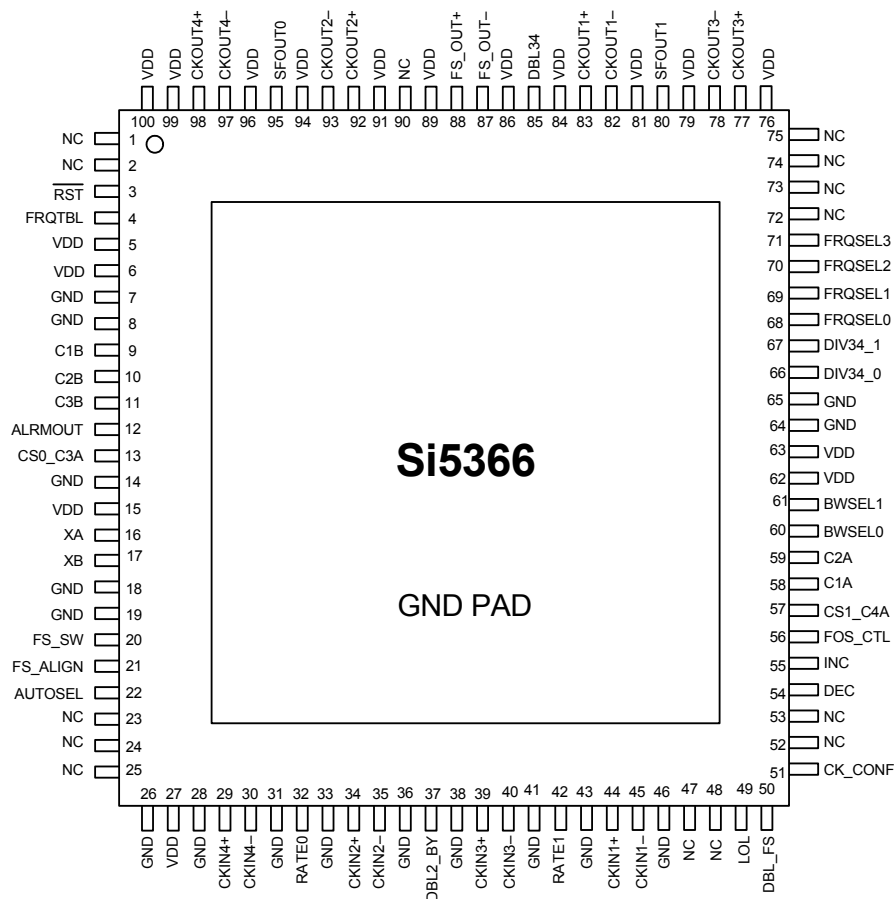
In digital hold, the DSPLL remains locked to this external reference. Any changes in the frequency of this reference when the DSPLL is in digital hold, will be tracked by the output of the device. Note that crystals can have temperature sensitivities.

### 1.2. Further Documentation

Consult the Silicon Laboratories Any-Rate Precision Clock Family Reference Manual (FRM) for detailed information about the Si5366. Additional design support is available from Silicon Laboratories through your distributor.

Silicon Laboratories has developed a PC-based software utility called *DSPLLsim* to simplify device configuration, including frequency planning and loop bandwidth selection. The FRM and this utility can be downloaded from <http://www.silabs.com/timing>; click on Documentation.

## 2. Pin Descriptions: Si5366



**Table 3. Si5366 Pin Descriptions**

Pin #	Pin Name	I/O	Signal Level	Description
1, 2, 23, 24, 25, 47, 48, 52, 53, 72, 73, 74, 75, 90	NC			<b>No Connect.</b> These pins must be left unconnected for normal operation.
3	RST	I	LVC MOS	<b>External Reset.</b> Active low input that performs external hardware reset of device. Resets all internal logic to a known state and forces the device registers to their default value. Clock outputs are disabled during reset. After rising edge of RST signal, the device will perform an internal self-calibration when a valid input signal is present. This pin has a weak pull-up.

Table 3. Si5366 Pin Descriptions (Continued)

Pin #	Pin Name	I/O	Signal Level	Description																				
4	FRQTBL	I	3-Level	<p><b>Frequency Table Select.</b>  This pin selects SONET/SDH, datacom, or SONET/SDH to datacom frequency translation table.  L = SONET/SDH.  M = Datacom.  H = SONET/SDH to Datacom.  This pin has both weak pull-ups and weak pull-downs and defaults to M. Some designs may require an external resistor voltage divider when driven by an active device that will tri-state.</p>																				
5, 6, 15, 27, 62, 63, 76, 79, 81, 84, 86, 89, 91, 94, 96, 99, 100	V <sub>DD</sub>	V <sub>DD</sub>	Supply	<p><b>V<sub>DD</sub>.</b>  The device operates from a 1.8 or 2.5 V supply. Bypass capacitors should be associated with the following V<sub>DD</sub> pins:</p> <table> <thead> <tr> <th>Pins</th> <th>Bypass Cap</th> </tr> </thead> <tbody> <tr> <td>5, 6</td> <td>0.1 μF</td> </tr> <tr> <td>15</td> <td>0.1 μF</td> </tr> <tr> <td>27</td> <td>0.1 μF</td> </tr> <tr> <td>62, 63</td> <td>0.1 μF</td> </tr> <tr> <td>76, 79</td> <td>1.0 μF</td> </tr> <tr> <td>81, 84</td> <td>0.1 μF</td> </tr> <tr> <td>86, 89</td> <td>0.1 μF</td> </tr> <tr> <td>91, 94</td> <td>0.1 μF</td> </tr> <tr> <td>96, 99, 100</td> <td>0.1 μF</td> </tr> </tbody> </table>	Pins	Bypass Cap	5, 6	0.1 μF	15	0.1 μF	27	0.1 μF	62, 63	0.1 μF	76, 79	1.0 μF	81, 84	0.1 μF	86, 89	0.1 μF	91, 94	0.1 μF	96, 99, 100	0.1 μF
Pins	Bypass Cap																							
5, 6	0.1 μF																							
15	0.1 μF																							
27	0.1 μF																							
62, 63	0.1 μF																							
76, 79	1.0 μF																							
81, 84	0.1 μF																							
86, 89	0.1 μF																							
91, 94	0.1 μF																							
96, 99, 100	0.1 μF																							
7, 8, 14, 18, 19, 26, 28, 31, 33, 36, 38, 41, 43, 46, 64, 65	GND	GND	Supply	<p><b>Ground.</b>  This pin must be connected to system ground. Minimize the ground path impedance for optimal performance.</p>																				
9	C1B	O	LVC MOS	<p><b>CKIN1 Invalid Indicator.</b>  This pin is an active high alarm output associated with CKIN1. Once triggered, the alarm will remain high until CKIN1 is validated.  0 = No alarm on CKIN1.  1 = Alarm on CKIN1.</p>																				
10	C2B	O	LVC MOS	<p><b>CKIN2 Invalid Indicator.</b>  This pin is an active high alarm output associated with CKIN2. Once triggered, the alarm will remain high until CKIN2 is validated.  0 = No alarm on CKIN2.  1 = Alarm on CKIN2.</p>																				
11	C3B	O	LVC MOS	<p><b>CKIN3 Invalid Indicator.</b>  This pin is an active high alarm output associated with CKIN3.  0 = No alarm on CKIN3.  1 = Alarm on CKIN3.</p>																				



Table 3. Si5366 Pin Descriptions (Continued)

Pin #	Pin Name	I/O	Signal Level	Description										
12	ALRMOUT	O	LVC MOS	<p><b>Alarm Output Indicator.</b> This pin is an active high alarm output associated with CKIN4 or the frame sync alignment alarm. 0 = ALRMOUT not active. 1 = ALRMOUT active.</p>										
13 57	CS0_C3A CS1_C4A	I/O	LVC MO	<p><b>Input Clock Select/CKINn Active Clock Indicator.</b> <b>Input:</b> If manual clock selection mode is chosen (AUTOSEL = L), the CS[1:0] pins function as the manual input clock selector control.</p> <table border="1"> <thead> <tr> <th>CS[1:0]</th> <th>Active Input Clock</th> </tr> </thead> <tbody> <tr> <td>00</td> <td>CKIN1</td> </tr> <tr> <td>01</td> <td>CKIN2</td> </tr> <tr> <td>10</td> <td>CKIN3</td> </tr> <tr> <td>11</td> <td>CKIN4</td> </tr> </tbody> </table> <p>These inputs are internally deglitched to prevent inadvertent clock switching during changes in the CSn input state. If configured as input, these pins must not float.</p> <p><b>Output:</b> If automatic clock detection is chosen (AUTOSEL = M or H), these pins function as the CKINn active clock indicator output. 0 = CKINn is not the active input clock. 1 = CKINn is currently the active input clock to the PLL.</p>	CS[1:0]	Active Input Clock	00	CKIN1	01	CKIN2	10	CKIN3	11	CKIN4
CS[1:0]	Active Input Clock													
00	CKIN1													
01	CKIN2													
10	CKIN3													
11	CKIN4													
16 17	XA XB	I	ANALOG	<p><b>External Crystal or Reference Clock.</b> An external crystal or an external clock should be connected to these pins. Frequency of crystal or external clock is set by the RATE pins. The quality of the selected crystal or external clock affects the quality of the part's output; refer to the Family Reference Manual for external reference selection and interfacing.</p>										
20	FS_SW	I	LVC MOS	<p><b>FSYNC Inputs to Clock Selection Enable.</b> If CK_CONF = 1, this pin enables the use of the CKIN3 and CKIN4 loss-of-signal indicators as inputs to the clock selection state machine. 0 = Do not use CKIN3 and CKIN4 LOS indicators as inputs to the clock selection state machine. 1 = Use CKIN3 and CKIN4 LOS indicators as inputs to the clock selection state machine. This pin has a weak pull-down.</p>										
21	FS_ALIGN	I	LVC MOS	<p><b>FSYNC Alignment Control.</b> If CK_CONF = 1, a logic high on this pin causes the FS_OUT phase to be realigned to the rising edge of the currently active input sync (CKIN3 or CKIN4). 0 = No realignment. 1 = Realignment. This pin has a weak pull-down.</p>										

Table 3. Si5366 Pin Descriptions (Continued)

Pin #	Pin Name	I/O	Signal Level	Description
22	AUTOSEL	I	3-Level	<b>Manual/Automatic Clock Selection.</b> Three level input that selects the method of input clock selection to be used. L = Manual. M = Automatic non-revertive. H = Automatic revertive. This pin has both weak pull-ups and weak pull-downs and defaults to M. Some designs may require an external resistor voltage divider when driven by an active device that will tri-state.
29 30	CKIN4+ CKIN4–	I	MULTI	<b>Clock Input 4.</b> Differential clock input. This input can also be driven with a single-ended signal. CKIN4 serves as the frame sync input associated with the CKIN2 clock when CK_CONF = 1.
32 42	RATE0 RATE1	I	3-Level	<b>External Crystal or Reference Clock Rate.</b> Three-level inputs that select the type and rate of external crystal or reference clock to be applied to the XA/XB port. Refer to the Family Reference Manual for settings. These pins have both a weak pull-up and a weak pull-down and default to M. Some designs may require an external resistor voltage divider when driven by an active device.
34 35	CKIN2+ CKIN2–	I	MULTI	<b>Clock Input 2.</b> Differential input clock. This input can also be driven with a single-ended signal.
37	DBL2_BY	I	3-Level	<b>CKOUT2 Disable/PLL Bypass Mode Control.</b> Controls enable of CKOUT2 divider/output buffer path and PLL bypass mode. L = CKOUT2 Enabled. M = CKOUT2 Disabled. H = BYPASS Mode with CKOUT2 enabled. This pin has both weak pull-ups and weak pull-downs and defaults to M. Some designs may require an external resistor voltage divider when driven by an active device that will tri-state.
39 40	CKIN3+ CKIN3–	I	MULTI	<b>Clock Input 3.</b> Differential clock input. This input can also be driven with a single-ended signal. CKIN3 serves as the frame sync input associated with the CKIN1 clock when CK_CONF = 1.
44 45	CKIN1+ CKIN1–	I	MULTI	<b>Clock Input 1.</b> Differential clock input. This input can also be driven with a single-ended signal.
49	LOL	O	LVC MOS	<b>PLL Loss of Lock Indicator.</b> This pin functions as the active high PLL loss of lock indicator. 0 = PLL locked. 1 = PLL unlocked.

Table 3. Si5366 Pin Descriptions (Continued)

Pin #	Pin Name	I/O	Signal Level	Description
50	DBL_FS	I	3-Level	<p><b>FS_OUT Disable.</b>  This pin performs the following functions:  L = Normal operation. Output path is active and signal format is determined by SFOUT inputs.  M = CMOS signal format. Overrides SFOUT signal format to allow FS_OUT to operate in CMOS format while the clock outputs operate in a differential output format.  H = Powerdown. Entire FS_OUT divider and output buffer path is powered down.</p> <p>This pin has both weak pull-ups and weak pull-downs and defaults to M. Some designs may require an external resistor voltage divider when driven by an active device that will tri-state.</p>
51	CK_CONF	I	LVC MOS	<p><b>Input Clock Configuration Control.</b>  This pin controls the input clock configuration.  0 = CKIN1, 2, 3, 4 inputs, no FS_OUT alignment.  1 = CKIN1, 3 and CKIN2, 4 clock/FSYNC pairs.  This pin has a weak pull-down.</p>
54	DEC	I	LVC MOS	<p><b>Coarse Skew Decrement.</b>  A pulse on this pin decreases the input to output device skew by <math>1/f_{OSC}</math> (approximately 200 ps). Detailed operations and timing characteristics for this pin may be found in the Any-Rate Precision Clock Family Reference Manual. There is no limit on the range of skew adjustment by this method. If both INC and DEC are tied high, phase buildout is disabled and the device maintains a fixed-phase relationship between the selected input clock and the output clock during an input clock switch. Detailed operations and timing characteristics for this pin may be found in the Any-Rate Precision Clock Family Reference Manual.  This pin has a weak pull-down.</p>
55	INC	I	LVC MOS	<p><b>Coarse Skew Increment.</b>  A pulse on this pin increases the input to output skew by <math>1/f_{OSC}</math> (approximately 200 ps). Detailed operations and timing characteristics for this pin may be found in the Any-Rate Precision Clock Family Reference Manual. There is no limit on the range of skew adjustment by this method. If both INC and DEC are tied high, phase buildout is disabled and the device maintains a fixed-phase relationship between the selected input clock and the output clock during an input clock switch. Detailed operations and timing characteristics for this pin may be found in the Any-Rate Precision Clock Family Reference Manual.  <b>Note:</b> INC does not increase skew if NI_HS = 4.  This pin has a weak pull-down.</p>

Table 3. Si5366 Pin Descriptions (Continued)

Pin #	Pin Name	I/O	Signal Level	Description
56	FOS_CTL	I	3-Level	<p><b>Frequency Offset Control.</b> This pin enables or disables use of the CKIN2 FOS reference as an input to the clock selection state machine. L = FOS Disabled. M = Stratum 3/3E FOS Threshold. H = SONET Minimum Clock FOS Threshold.</p> <p>This pin has both weak pull-ups and weak pull-downs and defaults to M. Some designs may require an external resistor voltage divider when driven by an active device that will tri-state.</p>
58	C1A	O	LVC MOS	<p><b>CKIN1 Active Clock Indicator.</b> This pin serves as the CKIN1 active clock indicator. 0 = CKIN1 is not the active input clock. 1 = CKIN1 is currently the active input clock to the PLL.</p>
59	C2A	O	LVC MOS	<p><b>CKIN2 Active Clock Indicator.</b> This pin serves as the CKIN2 active clock indicator. 0 = CKIN2 is not the active input clock. 1 = CKIN2 is currently the active input clock to the PLL.</p>
60 61	BWSEL0 BWSEL1	I	3-Level	<p><b>Bandwidth Select.</b> These pins are three level inputs that select the DSPLL closed loop bandwidth. Detailed operations and timing characteristics for these pins may be found in the Any-Rate Precision Clock Family Reference Manual.</p> <p>These pins have both weak pull-ups and weak pull-downs and default to M. Some designs may require an external resistor voltage divider when driven by an active device that will tri-state.</p>
66 67	DIV34_0 DIV34_1	I	3-Level	<p><b>CKOUT3 and CKOUT4 Divider Control.</b> These pins control the division of CKOUT3 and CKOUT4 relative to the CKOUT2 output frequency. Detailed operations and timing characteristics for these pins may be found in the Any-Rate Precision Clock Family Reference Manual.</p> <p>These pins have both weak pull-ups and weak pull-downs and default to M. Some designs may require an external resistor voltage divider when driven by an active device that will tri-state.</p>
68 69 70 71	FRQSEL0 FRQSEL1 FRQSEL2 FRQSEL3	I	3-Level	<p><b>Multiplier Select.</b> These pins are three level inputs that select the input clock and clock multiplication setting according to the Any-Rate Precision Clock Family Reference Manual, depending on the FRQTBL setting.</p> <p>These pins have both weak pull-ups and weak pull-downs and default to M. Some designs may require an external resistor voltage divider when driven by an active device that will tri-state.</p>

Table 3. Si5366 Pin Descriptions (Continued)

Pin #	Pin Name	I/O	Signal Level	Description																				
77 78	CKOUT3+ CKOUT3–	O	MULTI	<b>Clock Output 3.</b> Differential output clock with a frequency specified by FRQSEL and FRQTBL settings. Output is differential for LVPECL, LVDS, and CML compatible modes. For CMOS format, both output pins drive identical single-ended clock outputs.																				
80 95	SFOUT1 SFOUT0	I	3-Level	<p><b>Signal Format Select.</b> Three level inputs that select the output signal format (common mode voltage and differential swing) for all of the clock outputs except FS_OUT. See DBL_FS pin description.</p> <table border="1"> <thead> <tr> <th>SFOUT[1:0]</th> <th>Signal Format</th> </tr> </thead> <tbody> <tr> <td>HH</td> <td>Reserved</td> </tr> <tr> <td>HM</td> <td>LVDS</td> </tr> <tr> <td>HL</td> <td>CML</td> </tr> <tr> <td>MH</td> <td>LVPECL</td> </tr> <tr> <td>MM</td> <td>Reserved</td> </tr> <tr> <td>ML</td> <td>LVDS—Low Swing</td> </tr> <tr> <td>LH</td> <td>CMOS</td> </tr> <tr> <td>LM</td> <td>Disabled</td> </tr> <tr> <td>LL</td> <td>Reserved</td> </tr> </tbody> </table> <p>These pins have both weak pull-ups and weak pull-downs and default to M. Some designs may require an external resistor voltage divider when driven by an active device that will tri-state.</p>	SFOUT[1:0]	Signal Format	HH	Reserved	HM	LVDS	HL	CML	MH	LVPECL	MM	Reserved	ML	LVDS—Low Swing	LH	CMOS	LM	Disabled	LL	Reserved
SFOUT[1:0]	Signal Format																							
HH	Reserved																							
HM	LVDS																							
HL	CML																							
MH	LVPECL																							
MM	Reserved																							
ML	LVDS—Low Swing																							
LH	CMOS																							
LM	Disabled																							
LL	Reserved																							
82 83	CKOUT1– CKOUT1+	O	MULTI	<b>Clock Output 1.</b> Differential output clock with a frequency specified by FRQSEL and FRQTBL. Output signal format is selected by SFOUT pins. Output is differential for LVPECL, LVDS, and CML compatible modes. For CMOS format, both output pins drive identical single-ended clock outputs.																				
85	DBL34	I	LVC MOS	<b>Output 3 and 4 Disable.</b> Active high input. When active, entire CKOUT3 and CKOUT4 divider and output buffer path is powered down. CKOUT3 and CKOUT4 outputs will be in tristate mode during powerdown. This pin has a weak pull-up.																				
87 88	FS_OUT– FS_OUT+	O	MULTI	<b>Frame Sync Output.</b> Differential 8 kHz frame sync output or fifth high-speed clock output with a frequency specified by FRQSEL and FRQTBL. Output signal format is selected by SFOUT pins. Detailed operations and timing characteristics for this pin may be found in the Any-Rate Precision Clock Family Reference Manual. Output is differential for LVPECL, LVDS, and CML compatible modes. For CMOS format, both output pins drive identical single-ended clock outputs.																				

**Table 3. Si5366 Pin Descriptions (Continued)**

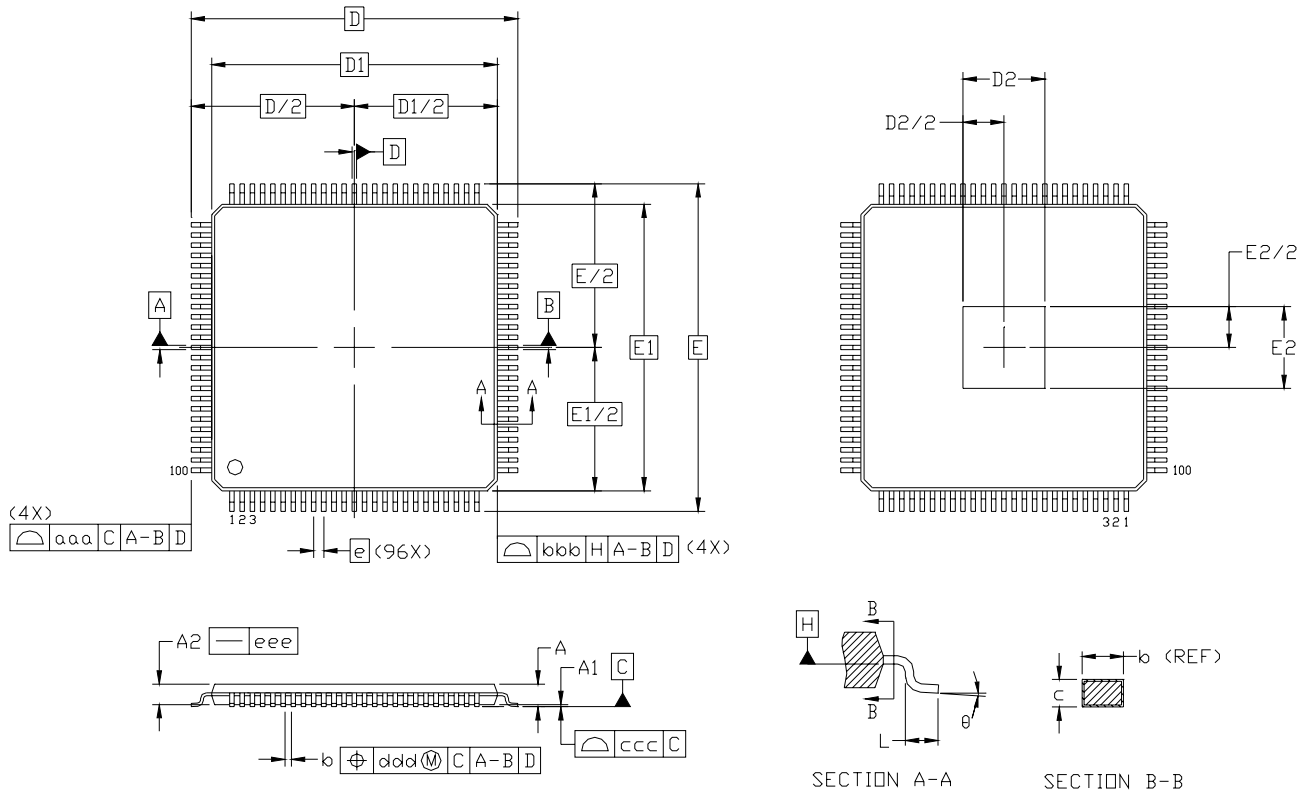
Pin #	Pin Name	I/O	Signal Level	Description
92 93	CKOUT2+ CKOUT2-	O	MULTI	<b>Clock Output 2.</b> Differential output clock with a frequency specified by FRQSEL and FRQTBL. Output signal format is selected by SFOUT pins. Output is differential for LVPECL, LVDS, and CML compatible modes. For CMOS format, both output pins drive identical single-ended clock outputs.
97 98	CKOUT4- CKOUT4+	O	MULTI	<b>Clock Output 4.</b> Differential output clock with a frequency specified by FRQSEL and FRQTBL settings. Output signal format is selected by SFOUT pins. Output is differential for LVPECL, LVDS, and CML compatible modes. For CMOS format, both output pins drive identical single-ended clock outputs.
GND PAD	GND PAD	GND	Supply	<b>Ground Pad.</b> The ground pad must provide a low thermal and electrical impedance to a ground plane.

### 3. Ordering Guide

Ordering Part Number	Package	ROHS6, Pb-Free	Temperature Range
Si5366-C-GQ	100-Pin 14 x 14 mm TQFP	Yes	-40 to 85 °C

## 4. Package Outline: 100-Pin TQFP

Figure 3 illustrates the package details for the Si5366. Table 4 lists the values for the dimensions shown in the illustration.



**Figure 3. 100-Pin Thin Quad Flat Package (TQFP)**

**Table 4. 100-Pin Package Diagram Dimensions**

Dimension	Min	Nom	Max	Dimension	Min	Nom	Max
A	—	—	1.20	E	16.00 BSC		
A1	0.05	—	0.15	E1	14.00 BSC		
A2	0.95	1.00	1.05	E2	3.85	4.00	4.15
b	0.17	0.22	0.27	L	0.45	0.60	0.75
c	0.09	—	0.20	aaa	—	—	0.20
D	16.00 BSC			bbb	—	—	0.20
D1	14.00 BSC			ccc	—	—	0.08
D2	3.85	4.00	4.15	ddd	—	—	0.08
e	0.50 BSC			θ	0°	3.5°	7°

**Notes:**

1. All dimensions shown are in millimeters (mm) unless otherwise noted.
2. Dimensioning and Tolerancing per ANSI Y14.5M-1994.
3. This package outline conforms to JEDEC MS-026, variant AED-HD.
4. Recommended card reflow profile is per the JEDEC/IPC J-STD-020C specification for Small Body Components.



## 5. Recommended PCB Layout

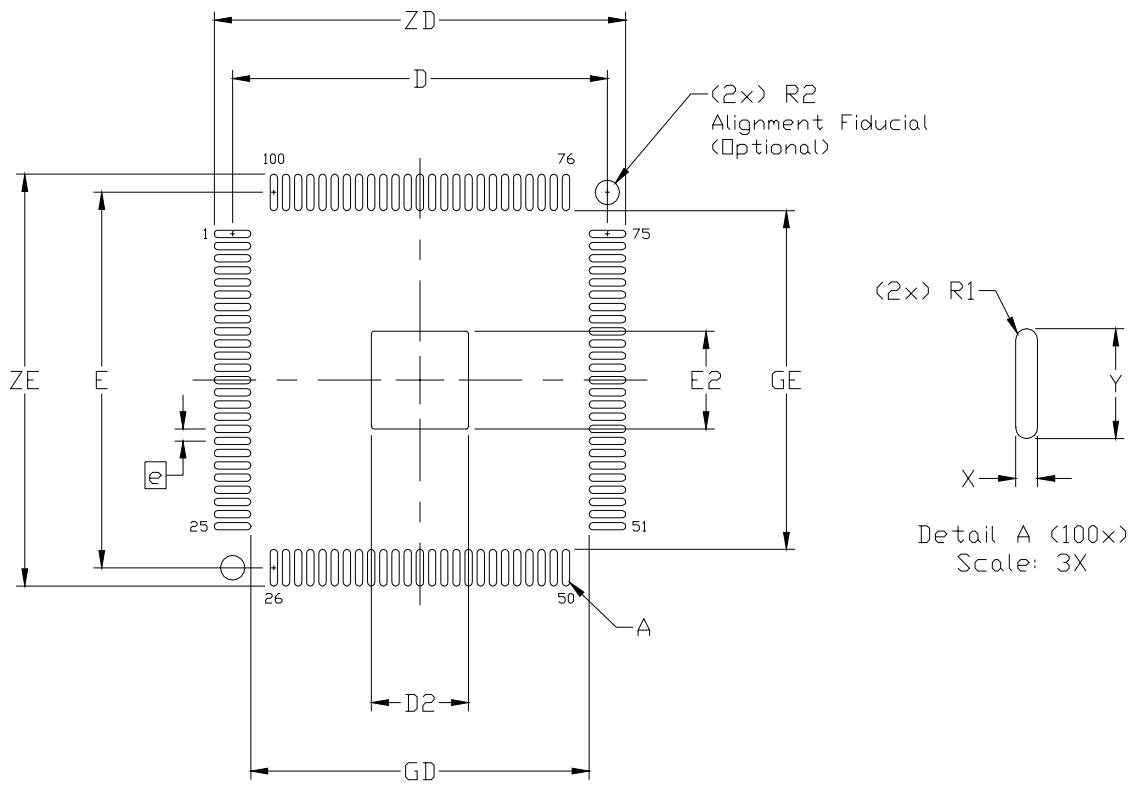


Figure 4. PCB Land Pattern Diagram

Table 5. PCB Land Pattern Dimensions

Dimension	MIN	MAX
e	0.50 BSC.	
E	15.40 REF.	
D	15.40 REF.	
E2	3.90	4.10
D2	3.90	4.10
GE	13.90	—
GD	13.90	—
X	—	0.30
Y	1.50 REF.	
ZE	—	16.90
ZD	—	16.90
R1	0.15 REF	
R2	—	1.00

**Notes (General):**

1. All dimensions shown are in millimeters (mm) unless otherwise noted.
2. Dimensioning and Tolerancing is per the ANSI Y14.5M-1994 specification.
3. This Land Pattern Design is based on IPC-7351 guidelines.
4. All dimensions shown are at Maximum Material Condition (MMC). Least Material Condition (LMC) is calculated based on a Fabrication Allowance of 0.05 mm.

**Notes (Solder Mask Design):**

1. All metal pads are to be non-solder mask defined (NSMD). Clearance between the solder mask and the metal pad is to be 60  $\mu\text{m}$  minimum, all the way around the pad.

**Notes (Stencil Design):**

1. A stainless steel, laser-cut and electro-polished stencil with trapezoidal walls should be used to assure good solder paste release.
2. The stencil thickness should be 0.125 mm (5 mils).
3. The ratio of stencil aperture to land pad size should be 1:1 for the perimeter pads.
4. A 4 x 4 array of 0.80 mm square openings on 1.05 mm pitch should be used for the center ground pad.

**Notes (Card Assembly):**

1. A No-Clean, Type-3 solder paste is recommended.
2. The recommended card reflow profile is per the JEDEC/IPC J-STD-020C specification for Small Body Components.

## DOCUMENT CHANGE LIST

### Revision 0.1 to Revision 0.2

- Updated Table 1, "Performance Specifications," on page 2.
- Changed LVTTTL to LVCMOS in Table 2, "Absolute Maximum Ratings," on page 3.
- Added Figure 1, "Typical Phase Noise Plot," on page 4.
- Updated "2. Pin Descriptions: Si5366".
- Updated "3. Ordering Guide" on page 15.
- Added "5. Recommended PCB Layout".

### Revision 0.2 to Revision 0.3

- Changed 1.8 V operating range to  $\pm 5\%$ .
- Clarified "2. Pin Descriptions: Si5366" on page 7.
- Updated "4. Package Outline: 100-Pin TQFP" on page 16.

## CONTACT INFORMATION

### Silicon Laboratories Inc.

400 West Cesar Chavez  
Austin, TX 78701  
Tel: 1+(512) 416-8500  
Fax: 1+(512) 416-9669  
Toll Free: 1+(877) 444-3032  
Email: [Clockinfo@silabs.com](mailto:Clockinfo@silabs.com)  
Internet: [www.silabs.com](http://www.silabs.com)

The information in this document is believed to be accurate in all respects at the time of publication but is subject to change without notice. Silicon Laboratories assumes no responsibility for errors and omissions, and disclaims responsibility for any consequences resulting from the use of information included herein. Additionally, Silicon Laboratories assumes no responsibility for the functioning of undescribed features or parameters. Silicon Laboratories reserves the right to make changes without further notice. Silicon Laboratories makes no warranty, representation or guarantee regarding the suitability of its products for any particular purpose, nor does Silicon Laboratories assume any liability arising out of the application or use of any product or circuit, and specifically disclaims any and all liability, including without limitation consequential or incidental damages. Silicon Laboratories products are not designed, intended, or authorized for use in applications intended to support or sustain life, or for any other application in which the failure of the Silicon Laboratories product could create a situation where personal injury or death may occur. Should Buyer purchase or use Silicon Laboratories products for any such unintended or unauthorized application, Buyer shall indemnify and hold Silicon Laboratories harmless against all claims and damages.

Silicon Laboratories, Silicon Labs, and DSPLL are trademarks of Silicon Laboratories Inc.  
Other products or brandnames mentioned herein are trademarks or registered trademarks of their respective holders.